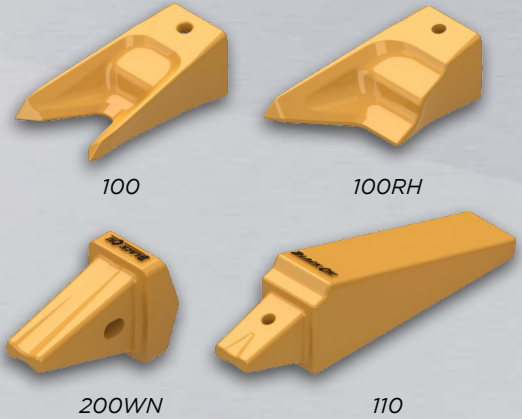




for Adco[®], Ateco[®], Bobcat[®],
Champion[®], JCB[®], & Volvo[®] Replacement

Adco

Part Number	Description	Weight	A	B	C
100	Center Tooth	3.0 lbs	2.25"	3.01"	5.88"
100 RH/LH	RH/LH Tooth	3.2 lbs	2.25"	3.00"	6.06"
110	Center Adapter	7.7 lbs	2.88"	2.19"	10.5"
110 RH/LH	RH/LH Tooth	6.1 lbs	3.50"	2.31"	11.06"
200	Center Tooth	5.6 lbs	3.00"	2.56"	7.27"
200 RH/LH	RH/LH Tooth	6.4 lbs	3.13"	2.57"	7.33"
210	Center Adapter	9.9 lbs	3.29"	2.37"	12.02"
210 RH/LH	Angled Adapter	11.9 lbs	4.85"	2.31"	13.02"
200WN	Weld On Nose	4.4 lbs	3.25"	2.50"	5.00"



Ateco, Champion, Volvo

Part Number	Description	Weight	A	B	C
3-868 (Ateco) 9937 (Champion, Volvo)	Center Tooth	7.3 lbs	3.66"	2.62"	8.98"



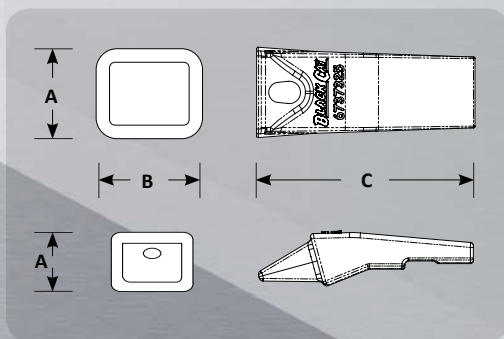
Bobcat

Part Number	Description	Weight	A	B	C
6737325	Tooth	2.2 lbs	2.36"	2.26"	5.47"
6737324	Adapter	5.1 lbs	2.13"	2.19"	8.57"



JCB

Part Number	Description	Weight	A	B	C
531/03205	JCB Unitooth	6.0 lbs	1.97"	2.47"	9.78"
531/03208	JCB Corner Tooth / Sidecutter RH	11.7 lbs	2.00"	2.00"	14.45"
531/03209	JCB Corner Tooth / Sidecutter LH				



Quality wear parts every time.

- HighSpec Alloy heat treated steel.
- Computer design ensures proper fitment and optimum strength.
- Efficient processes and "state of the art" foundry.
- Metallurgical staff and testing facilities ensures consistency.

205.0816

TEETH & ADAPTERS



www.BlackCatWearParts.com sales@blackcatwearparts.com Toll Free: 1.800.661.6666 Ph: 780.465.6666 Fax: 780.465.9595

Caterpillar[®] and other identities and/or trademarks referred to in this publication are the registered marks of the entities noted herein. The use of any trademarks of others than Black Cat Blades Ltd. are solely and exclusively for identification, informational, comparative, and descriptive purposes. Black Cat Blades Ltd. is not affiliated with any owner of such registered marks and does not make, use, or sell any products manufactured by any such entity identified in this publication.